

Easy Wood Plans

www.easywoodplans.com

#78, 2316-27 Ave. N.E.
Calgary, Alberta
Canada, T2E 7A7

NOTICE

The purchaser agrees when purchasing this plan (the "Plan"); the purchaser has obtained the right to build or construct the object or project set out in the Plan for personal use only and not for any commercial use.
2) reproduction of the Plan in whole or in part by any means whatsoever is strictly prohibited. The Handyman shall not be liable for any willful misuse or negligent use of this plan, the Project or any tools used to construct the Project or for any loss or damage resulting therefrom.

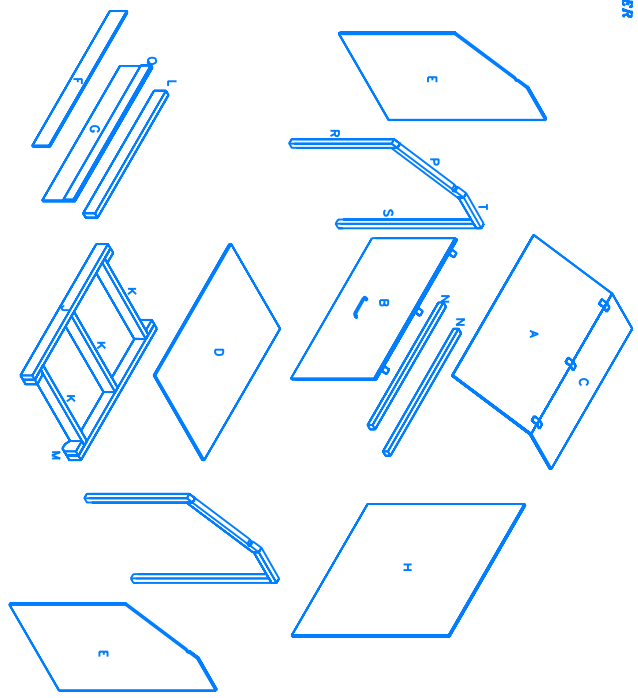
NOTE: Read all directions before beginning

Waterproof glue should be used to reinforce all joints
Dimensions shown in brackets denote millimeters

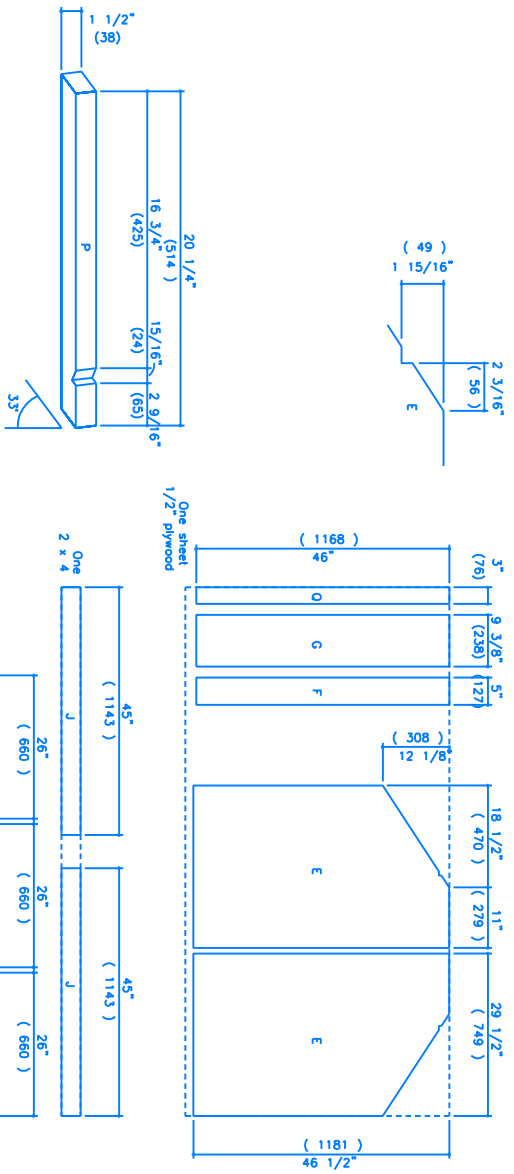
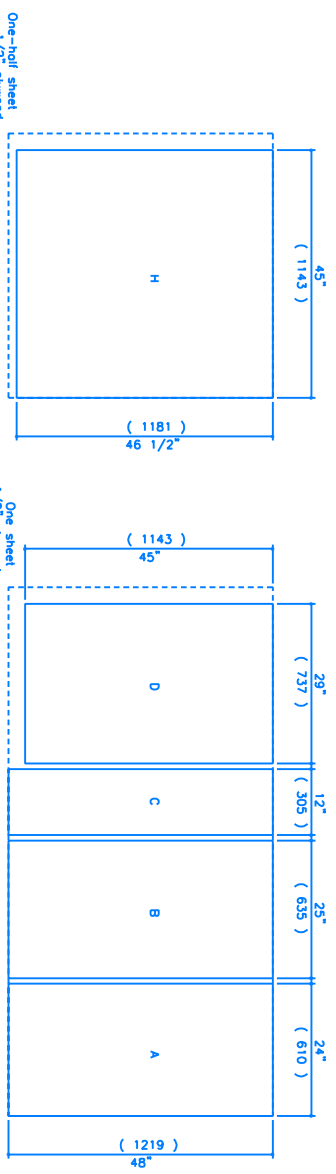
Directions

- 1) Lay out your material as outlined in the material layout (Fig 1). Draw out all parts exactly as illustrated, including the letter designations, in pencil. Ensure to leave a small space between cut lines to allow for the width of the saw. Before cutting, double check all measurements to ensure they are correct. Always cut on the waste side of the line. Note that the cuts on A and B are miter cuts of 30 degrees. Piece Q is tested on a 1/2" plywood sheet, however if you have a piece of 1/4" plywood, use it for this piece as it will provide the lid with a tighter fit.
- 2) Nail the legs M to the base supports J with eight 3" nails as shown (Fig 2). Two each. Ensure the top edges of M and J are flush. Butt the two outer pieces K flush with M and nail through J into K with 3" nails. Fit in the centre piece K and nail through J to attach with 3" nails. Place piece D onto this assembly, square, and nail through D into pieces J and K with 2" nails.

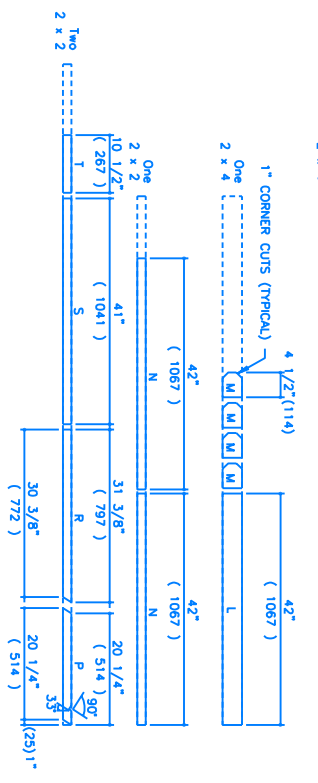
OVER



EXPLODED VIEW
FIGURE 2



MATERIALS LAYOUT
FIGURE 1



GARBAGE CAN SHED - Project #204

MATERIALS LIST

- Two 4'x8' sheets 1/2" plywood, good one side
- One 4'x4' sheet 1/2" plywood, good one side
- Three 8' 2x4 (1 1/2"x3 1/2")
- One 8' 2x4 (1 1/2"x1 1/2")
- Two 9' 2x2 (1 1/2"x1 1/2")
- Six 3"x6" hinges with hardware
- Door pull with hardware

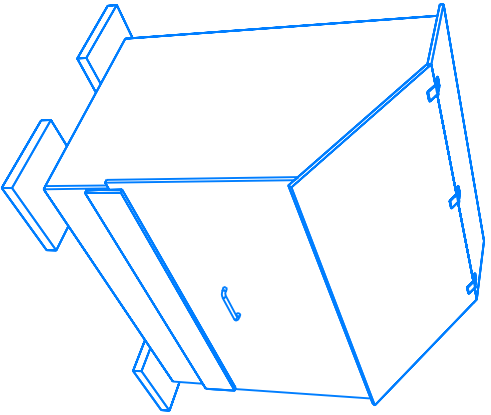
MATERIALS LIST

- Approx. 1 lb. 2" polyknit common nails
- Approx. 1 lb. 3" common nails
- Carpenter's glue

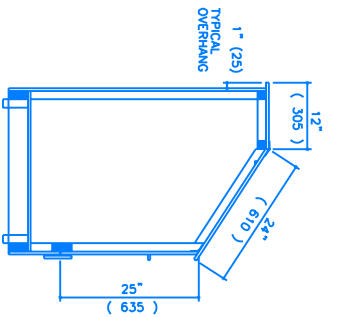
TOOLS

- Table Saw and Jigsaw
- Pencil and Measuring Tape
- Power or Hand Drill
- 1/16" drill bit and Point Brush
- Hammer and Screwdrivers
- Square and Nail Set

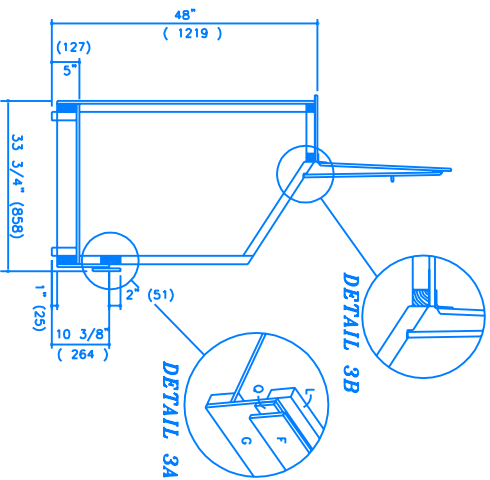
- 3) Glue and place D on G as shown (Fig 3), and then glue and nail on F (2" above the edge of pieces D and G) through pieces Q and G and into L with 2" nails. The edges of F and L should be level, with a 1" space between them. Glue and nail completed piece G/F/L onto front of base piece D/K/M with 2" nails, making sure bottom of G is flush with bottom of J.
- 4) Carefully lay out, and nail together, frames RSTP as shown (Fig 4) with 3" nails, one for each joint. Carefully lay these frames on the ground, place sides E on top of them, and nail E to frames using 2" nails. Ensure that the edges of S, T, P, and R are flush with the edge of E, and that the notches in P and E line up. Stand the pieces up and nail the bottoms of E to J and L with 2" nails. Ensure the bottom edge of E is flush with the bottom edges of J.
- 5) Place the pieces N between pieces T and nail through E, T, and into N with 3" nails (Fig 4). Now nail on back H with 2" nails. Place C onto the cross members N, lining up on ledge with the end intersection, and then nail the back H to the side R with 2" nails. Attach the door A and attach to C using the hinges and hardware as shown (Fig 5).
- 6) Install hinges onto back of piece B. Hold B under A and mark the place where they meet with a pencil mark on A. Lay A flat onto C and then attach the hinges, already on B, onto A. Fold down door and adjust hinges if necessary, by fitting the door into the notches. It should sloy up by itself. It is a good idea at this point to attach a chain on the inside to the rear piece N and to piece A to prevent the lid from ever going completely over backwards.
- 7) Paint bin with exterior paint, or stain to match fence and surrounding woodwork. Install the handle on the front of piece B.



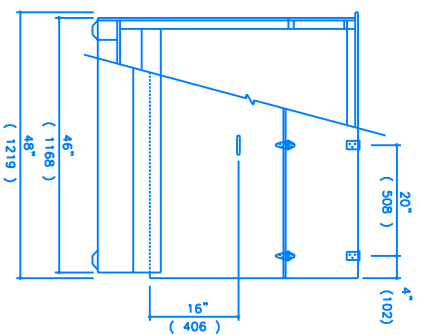
COMPLETED PROJECT



SECTION THROUGH MIDDLE



SECTION THROUGH MIDDLE
FIGURE 3



SECTION THROUGH MIDDLE
FIGURE 5

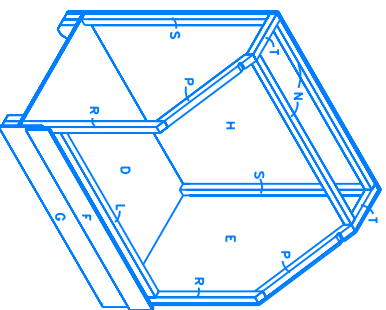


FIGURE 4